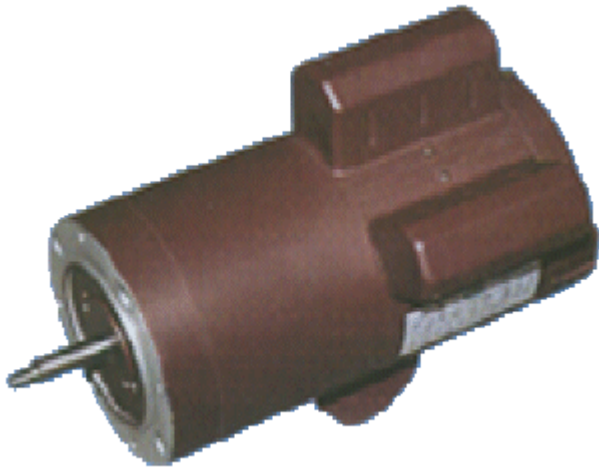


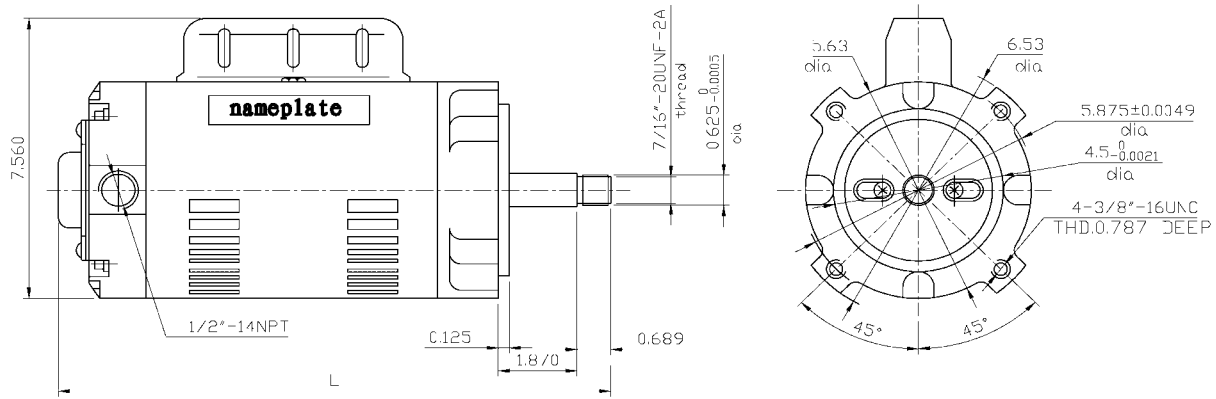


NEMA Frame Jet Pump Motors



- **NEMA Rolled Steel Frame**
- **Shaft can be stainless steel at request**
- **ODP And TEFC Available**
- **Single phase capacitor start and three phases available**
- **Threaded shaft with C flange**

**ISO9001
Certified**



TECHNICAL DATA

Type	Power (W)	Service Factor S.F.	Voltage (V)	Current (A)	Freq (Hz)	Speed (r/min)	Eff (%)	Power Factor	Start Torque Rated Torque	Max Torque Rated Torque	Start Current (A)	Note
AJ4812-A4	1/2	1.6	115/230	8.6/4.3	60	3450	54	0.69	3.7	2.8	46/23	
AJ4822-A4	3/4	1.5	115/230	10.6/5.3	60	3450	65	0.69	3.2	2.8	66/33	
AJ4832-A4	1	1.4	115/230	14.2/7.1	60	3450	59	0.77	2.3	2.8	86/43	
AJ4842-A4	1/2	1.3	115/230	18/9.0	60	3450	70	0.76	2.3	2.4	110/55	
AJ5672-A4	2	1.2	115/230	21/10.5	60	3450	74	0.80	2	2.2	140/70	
AJ5692-A4	3	1.15	115/230	24/12	60	3450	79	0.98	2.2	2.1	180/90	Cap Start And run
AJ4812-B2	1/2	1.6	115/230	8.6/4.3	60	3450	54	0.69	3.7	2.8	46/23	
AJ4822-B2	3/4	1.5	115/230	10.6/5.3	60	3450	65	0.69	3.2	2.8	66/33	
AJ4832-B2	1	1.4	115/230	14.2/7.1	60	3450	59	0.77	2.3	2.8	86/43	
AJ4842-B2	1/2	1.3	115/230	18/9.0	60	3450	70	0.76	2.3	2.4	110/55	
AJ5672-B2	2	1.2	115/230	21/10.5	60	3450	74	0.80	2	2.2	140/70	
AJ5692-B2	3	1.15	115/230	24/12	60	3450	79	0.98	2.2	2.1	180/90	Cap Start And run

Note: In the name of type, "A" expresses no thermal protector, "B" expresses there is a thermal protector, "2" expresses the material of the shaft extend is stainless steel, "4" expresses the material of the shaft extend is not stainless steel.

